

VB-H730F Mk II

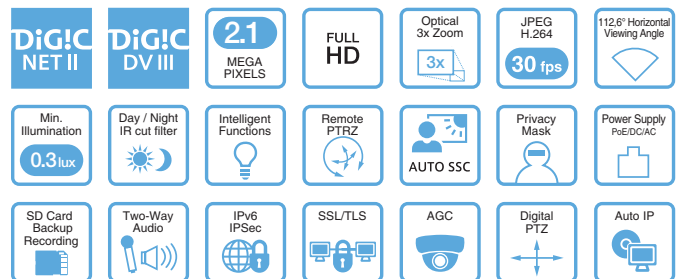


Keep every angle covered

The VB-H730F Mk II Full HD fixed box camera delivers an ultra-wide 112.6° field of view and superior low-light performance.



- Full HD fixed box IP security camera
- 3x optical zoom lens with ultra-wide 112.6° field of view
- Superior image quality using Canon DIGIC DV III processor
- Canon DIGIC NET II supports multiple motion JPEG and dual H.264 video streams
- Excellent low-light performance: colour at 0.3 lux and mono at 0.015 lux
- Auto Smart Shade Control (Auto-SSC) improves foreground objects in bright backlit scenes
- Motion Adaptive Noise Reduction and Area-Specific Data Size Reduction (ADSR) help reduce data size while optimising image quality
- Built-in analytics functions for intelligent and efficient alarm detection
- Live monitoring and configuration on supported web browsers and mobile devices
- ONVIF® Profile S compliant



Technical Specifications

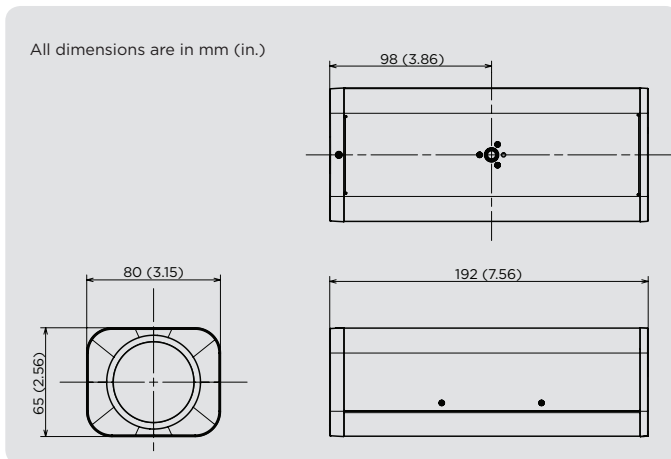
VB-H730F Mk II

CAMERA	
Image Sensor	1/3 type CMOS (primary colour filter)
Number of Effective Pixels	Approx. 2.1 million pixels
Scanning Method	Progressive
Lens	3x optical (4x digital zoom) zoom lens (electric drive)
Focal Length	2.8 (W) – 8.4 mm (T) (W): maximum wide angle, (T): maximum telephoto
F-number	F1.2 (W) – F2.0 (T)
Viewing Angle	For 16:9 aspect ratios: Horizontal: 112.6° (W) – 36.7° (T) Vertical: 60.8° (W) – 20.6° (T) For 4:3 aspect ratios: Horizontal: 82.3° (W) – 27.5° (T) Vertical: 60.8° (W) – 20.6° (T)
Day / Night Switch	Auto / Day Mode / Night Mode
Min. Subject Illumination	Day Mode (colour): 0.3 lux (F1.2, shutter speed 1/30 sec., when SSC is off, 50IRE) Night Mode (monochrome): 0.015 lux (F1.2, shutter speed 1/30 sec., when SSC is off, 50IRE)
Focus	One-shot AF / Manual / Fixed at infinity
Shooting Distance (from front of lens)	Day Mode: 0.3 m (12 in.) – infinity Night Mode: 1.0 m (3.3 ft.) – infinity
Shutter Speed	1, 1/2, 1/4, 1/8, 1/15, 1/30, 1/50, 1/60, 1/100, 1/120, 1/250, 1/500, 1/1000, 1/2000, 1/4000, 1/8000, 1/10000, 1/16000 sec.
Exposure	Auto / Auto (Flickerless) / Auto (Shutter-priority AE) / Manual (Shutter Speed, Aperture, Gain)
White Balance	Auto/Manual Daylight Fluorescent/White Fluorescent/Warm Fluorescent/Mercury Lamp/Sodium Lamp/Halogen Lamp Manual: One-shot WB/R Gain/B Gain
Metering Mode	Center-Weighted / Average / Spot
Exposure Compensation	9 levels
Smart Shade Control	Auto / Manual / Disable Auto: 3 levels Manual: 7 levels
Haze Compensation	Auto / Manual / Disable Auto: 3 levels Manual: 7 levels
AGC Limit	6 levels
Motion-Adaptive NR (Noise Reduction)	Available
SERVER UNIT	
Video Compression Method	JPEG, H.264
Video Size	JPEG, H.264: 1920 x 1080, 960 x 540, 480 x 270 1280 x 720, 640 x 360, 320 x 180 1280 x 960, 640 x 480, 320 x 240
Video Quality	JPEG, H.264: 10 levels
Frame Rate	JPEG: 0.1 – 30 fps H.264: 1/2/3/5/6/10/15/30 fps - Values represent streaming performance from the camera. - The frame rate may be reduced due to Viewer PC's specs, the number of clients accessing at the same time, network loads, video quality setting, type or movement of the subject or other reasons.
Max. Frame Rate	When streaming JPEG, H.264 (1920 x 1080): 30 fps When used in the following combinations: When streaming H.264(1) (1920 x 1080) and H.264(2) (all sizes) simultaneously: 15 fps When streaming H.264(1) (all sizes) and H.264(2) (1920 x 1080) simultaneously: 15 fps When streaming H.264(1) (1280 x 960) and H.264(2) (1280 x 960) simultaneously: 15 fps When streaming H.264(1) (1280 x 720) and H.264(2) (1280 x 720) simultaneously: 15 fps
I-Frame Interval	0.5 / 1 / 1.5 / 2 / 3 / 4 / 5 sec.
Simultaneous Client Access	Max. 30 Clients + 1 Admin Client - H.264: Max. 10 Clients
Bit Rate Control	Target Bit Rate: 64/128/256/384/512/768/1024/1536/2048/3072/4096/6144/8192/10240/12288/14336/16384 kbps
ADSR: Area-specific Data Size Reduction	Number of Specified Areas: Max. 8 areas Data Size Reduction Level: 3 levels
Encrypted Communications	SSL / TLS, IPsec (Auto Key Exchange / Manual)
IEEE802.1X Protocol	EAP-MD5, EAP-TLS, EAP-TTLS, EAP-PEAP
ONVIF Profile	Profile-S
Audio Compression Method	G.711 μ-law (64 kbps)
Audio Communication Method	Full-duplex (two-way)/half-duplex - Echo cancellation function compliant RTP, Sound Transfer Protocol by Canon
Audio File Playback	Available (audio files can be played back when an event is triggered by the intelligent function or external device input.) - A third-party amplifier speaker is necessary

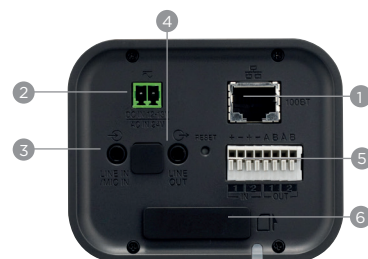
Privacy Mask	Number of registration: Max. 8 places, Number of mask colours: 1 (select from 9 colours)
Preset	Number of registers: Max. 20 positions (+Home Position) Number of Preset Tour Route: Max. 1
Intelligent Function	Video: Moving Object Detection, Abandoned Object Detection, Removed Object Detection, Camera Tampering Detection, Passing Detection, Intrusion Detection Detection Settings: Max. 15 Non-detection Area Settings: Available Audio: Volume Detection, Scream Detection
Event Trigger Type	External Device Input, Intelligent Function (Video), Intelligent Function (Audio), Timer, Day/Night Mode Switching Number of Linked Events: 2 Linked Event Conditions: OR, AND (whether or not there is a sequence to events)
Image Upload	FTP/HTTP/SMTP (e-mail)
Event Notification	HTTP/SMTP (e-mail)
Image Cropping Function	Digital PTZ Cropping sizes: 640 x 360 / 512 x 288 / 384 x 216 / 256 x 144 / 128 x 72 640 x 480 / 512 x 384 / 384 x 288 / 256 x 192 / 128 x 96
On-Screen Display	Available
Daylight Saving Time	Available
APPLICATION	
Viewer	Camera Viewer Mobile Camera Viewer
Included Software	Camera Management Tool RM-Lite Recorded Video Utility On-Screen Display Assist Tool
Language	German/English/Spanish/French/Italian/Polish/Russian/Turkish/Thai/Korean/Chinese (Simplified) /Japanese
INTERFACE	
Network Terminal	LAN x 1 (RJ45, 100Base-TX (auto/full-duplex/half-duplex))
Audio Input Terminal (common for LINE IN & MIC IN)	Ø3.5 mm (Ø0.14 in.) mini-jack connector (monaural) LINE IN (connect to an amplifier microphone) or MIC IN (connect to a microphone w/o amplifier) - Switch LINE IN/MIC IN in the Setting Page.
Audio Output Terminal (LINE OUT)	Ø3.5 mm (Ø0.14 in.) mini-jack connector (monaural) LINE OUT x 1 (connect to an amplifier speaker)
External Device I/O Terminal	Input x 2, Output x 2
Memory Card	SD Memory Card, SDHC Memory Card, SDXC Memory Card Compatible. Frame Rate: Max. 1 fps (JPEG) Max. 30 fps (H.264)
OTHER	
Operating Environment	Temperature: -10°C – +50°C (+14°F – +122°F) Humidity: 5% – 85% (without condensation)
Power Supply	PoE: PoE power supply via LAN connector (IEEE802.3at Type1 compliant) AC Adapter: PA-V18 (100 – 240 V AC) (sold separately) External power source: 24 V AC/12 V DC
Power Consumption	When using PoE: Max. approx. 6.9 W* When using AC Adapter PA-V18: Max. approx. 7.5 W (100 V AC) Max. approx. 7.8 W (240 V AC) When using DC: Max. approx. 7.0 W When using AC: Max. approx. 6.5 W * Class 0 power sourcing equipment (requests 15.4 W)
Dimensions	(H x W x D) 65 x 80 x 192 mm (2.56 x 3.15 x 7.56 in.)
Weight	Approx. 670 g (1.48 lb.)
International Standard	EN55032 Class B, FCC part15 subpart B Class B, ICES-003 Class B, VCCI Class B, RCM AS/NZS EN55032 Class B, CNS13438 Class B, KN22 Class B, EN55024, KN24, EN50581 ----- IEC/UL/EN60950-1

All data is based on Canon standard testing methods except where indicated. Subject to change without notice. [™] and [®]: All company and / or product names are trademarks and / or registered trademarks of their respective manufacturers in their markets and / or countries.

Dimensions



Connectivity



- 1 Network Interface** RJ45, 100Base-TX (Auto / Full-duplex / Half-duplex)
- 2 Power Connection Terminal** 12V DC / 24V AC
- 3 Audio Input** 3.5mm mono mini-jack
- 4 Audio Output** 3.5mm mono mini-jack
- 5 External Device I/O** 2 x Inputs / 2 x Outputs
- 6 Memory Card Slot** SD and SDHC Memory Card compatible

Keep every angle covered

VB-H730F Mk II



The VB-H730F Mk II Full HD fixed box camera delivers an ultra-wide 112.6° field of view and superior low-light performance.

Sales Start Date: Q1, 2018

Product Details:

Product Name	Mercury Code	EAN Code
Network Camera VB-H730F Mk II	2551C001AA	4549292106930

Measurement / Logistic Information:

Product Name	Mercury code	Pack type	Pack description	Quantity per pack	Length (mm)	Width (mm)	Height (mm)	Net Weight (kg)	Gross Weight (kg)
Network Camera VB-H730F Mk II	2551C001AA	EA	Each	1	252	165	130	Approx. 0.7	Approx. 1.1
		CT	Carton	6	409	350	288	Approx. 4.0	Approx. 7.1
		EP	Euro Pallet	—	—	—	—	—	—

What's in the box?

- VB-H730F Mk II Main Unit
- Power Connector
- Instruction Guide
- Warranty Card
- Notice
- EAC-Supported Guide